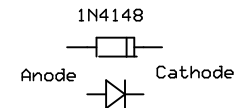
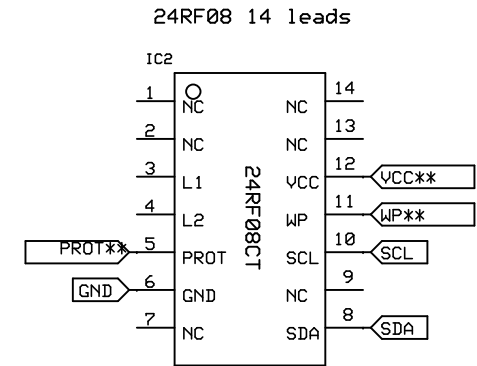
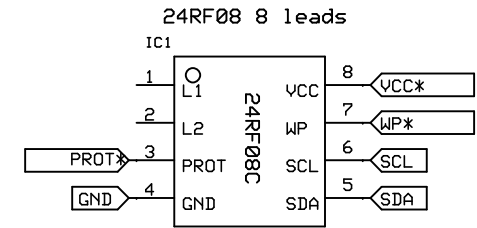


Power supply based on 3 AA batteries



*for MAX232 C1-C5 have diff. value
 **Required only for unsoldered eeproms

| List of components | | |
|--------------------|----------------|----------|
| U1 | MAX 232A | MAX 232* |
| D1, D2 | 2 x 1N4148 | <- |
| C1-C5 | 5 x 0.1 uF | 5 x 1 uF |
| R1, R2 | 2 x 4.7KOhms | <- |
| DB9 | 1 x DB9 female | <- |

Driven Serial I2C Programmer

ALLservice www.allservice.ro

Victor Voinea

Rev 3.1

04.07.2005

Size A4